



MICRO SWITCH

FREEPORT, ILLINOIS, U.S.A.
A DIVISION OF HONEYWELL

FED. MFG. CODE 91829

SWITCH -- BASIC

CATALOG LISTING



V3-101

CKB 0100

M V3-101

DRAWING NUMBER

ISSUE **10**

17

CHECK

REVISIONS

A CO20189
25 MAY 65

B CO21688
3 OCT 66

C CO24941
3 DEC 68

D CO26075
26 AUG 69

E CO31748
2 APR 73

F CO 32395
14 AUG 73

G 59921
29 SEPT 86

H CO74475
15 APR 93

DRAWN

30378

REPLACES

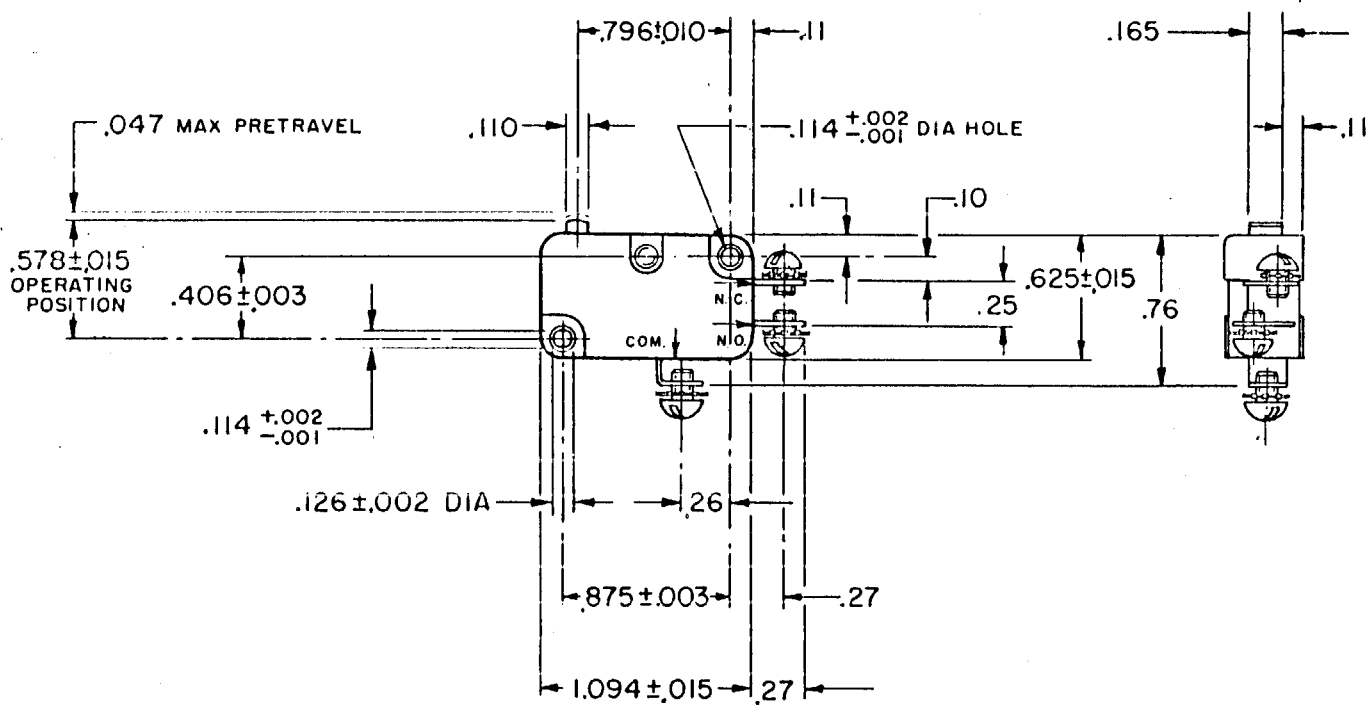
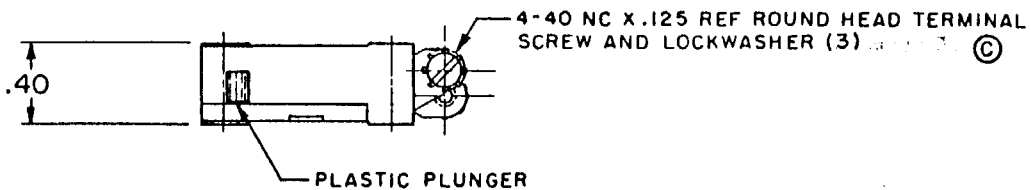
RELEASE NO.

CHECK

CHECK

CHECK

CHECK



THIS DRAWING COVERS A PROPRIETARY ITEM AND IS THE PROPERTY OF MICRO SWITCH, A DIVISION OF HONEYWELL. THIS DRAWING IS NOT TO BE COPIED OR USED WITHOUT THE APPROVAL OF MICRO SWITCH.

| CHARACTERISTICS | ELECTRICAL DATA | SCALE FULL |
|------------------------------------|--|--|
| OPERATING FORCE----- 8 OZ MAX | CONTACT ARRANGEMENT S P D T | DO NOT SCALE PRINT |
| RELEASE FORCE----- 2 OZ MIN | 11A-1/3HP-125-250-277 VAC - L156 - 1/2A-125 VDC; 1/4A-250 VDC 4A-125 VAC "L" | UNLESS OTHERWISE NOTED DIMENSIONS ARE IN INCHES TOLERANCES ARE: |
| DIFFERENTIAL TRAVEL----- .006-.016 | | ONE PLACE (.0) ±.030 TWO PLACE (.001) ±.015 THREE PLACE (.000) ±.005 ANGLES ± |
| OVERTRAVEL----- .040 MIN | | WEIGHT .017 LB |
| FREE POSITION----- .625 MAX | | |
| RELEASE TRAVEL----- .007 MIN | | |